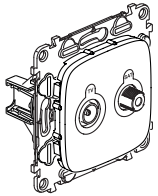
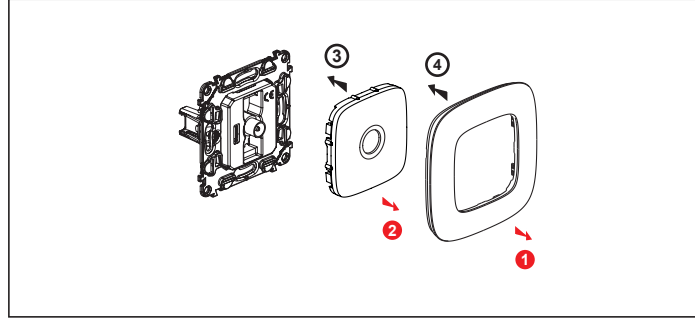


7 537 51 / 60 / 61
7 538 51 / 60 / 61
7 539 51 / 60 / 61
7 539 70 / 71 / 81

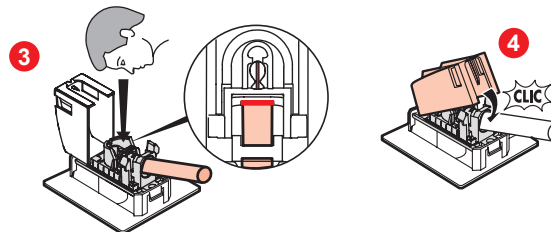
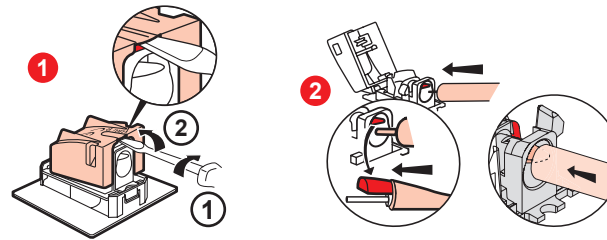
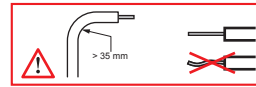
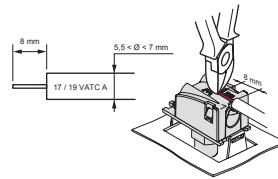


7 537 58
7 538 58
7 539 58
7 539 68

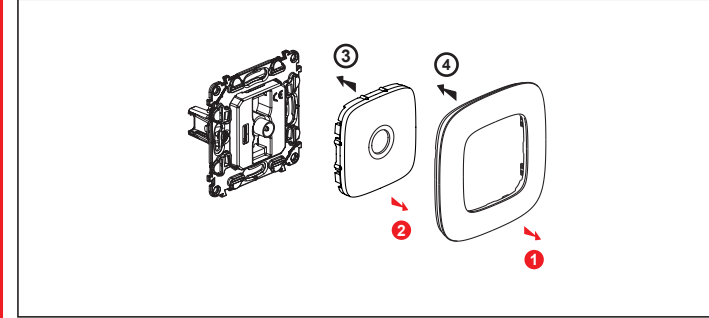
7 537 51, 7 538 51, 7 539 51, 7 539 71



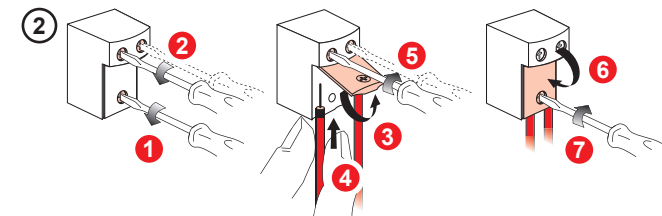
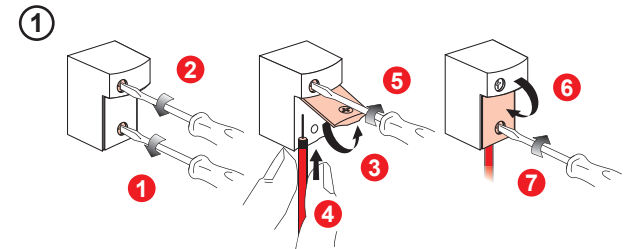
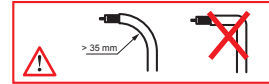
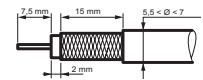
Z	Control	Return Path	Channel 1	Channel FM	Channel VHF	Channel UHF	Channel SAT (IF)
75 Ω	500 mA	4 - 30 MHz	47 - 68 MHz	87,5 - 108 MHz	120 - 470 MHz	470 - 862 MHz	950 - 2400 MHz



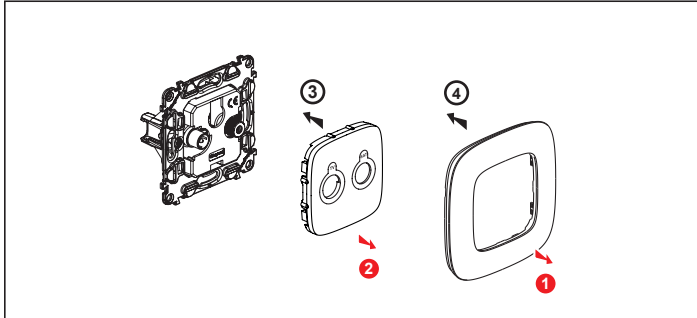
7 537 60 / 61, 7 538 60 / 61, 7 539 60 / 61, 7 539 70 / 81



Z	Control	Return Path	Channel 1	Channel FM	Channel VHF	Channel UHF	Channel SAT (IF)
75 Ω	500 mA	4 - 30 MHz	47 - 68 MHz	87,5 - 108 MHz	120 - 470 MHz	470 - 862 MHz	950 - 2150 MHz



7 537 58, 7 538 58, 7 539 58, 7 539 68



		Control	Return Path	Channel 1	Channel FM	Channel VHF	Channel UHF	Channel SAT (IF)
75 Ω	500 mA	22 kHz 0,6 V	4 - 30 MHz	47 - 68 MHz	87,5 - 108 MHz	120 - 470 MHz	470 - 862 MHz	950 - 2400 MHz
7 537 58 7 538 58 7 539 58 7 539 68		1,5 dB		1,5 dB				2 dB

